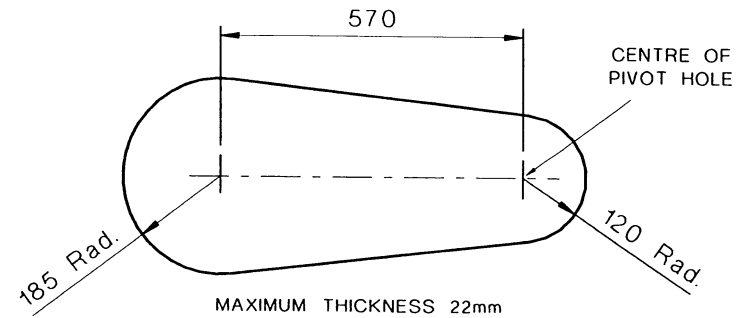
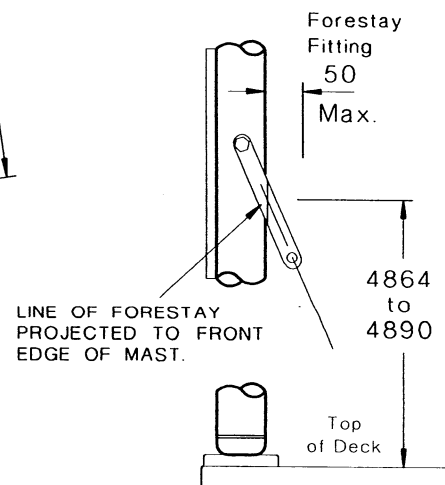


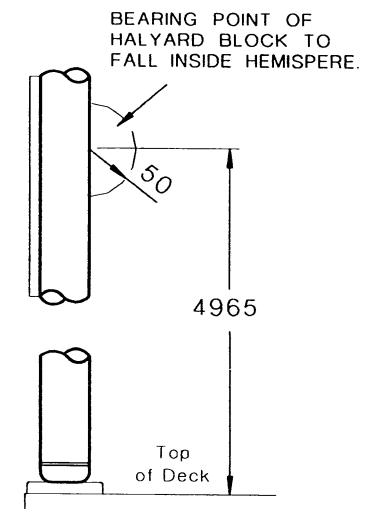
CENTREBOARD



RUDDER BLADE



**FORESTAY
DETAIL**



**SPINNAKER HALYARD
DETAIL**

Drawn *John Farthing*
 Checked National Measurer *Rob Kennedy*
 Issue Date *June 1996*

- NOTES**
1. ALL DIMENSIONS IN MILLIMETRES
 2. DRAWINGS NOT TO SCALE
 3. DRAWINGS TO BE READ IN CONJUNCTION WITH OTHER CLASS DOCUMENTS.
 4. RULES TAKE PRECEDENCE OVER DRAWINGS.

Australian Sharpie Sailing Association Inc.
CLASS DRAWINGS

**CENTREBOARD
 RUDDER BLADE
 SPAR DETAILS**